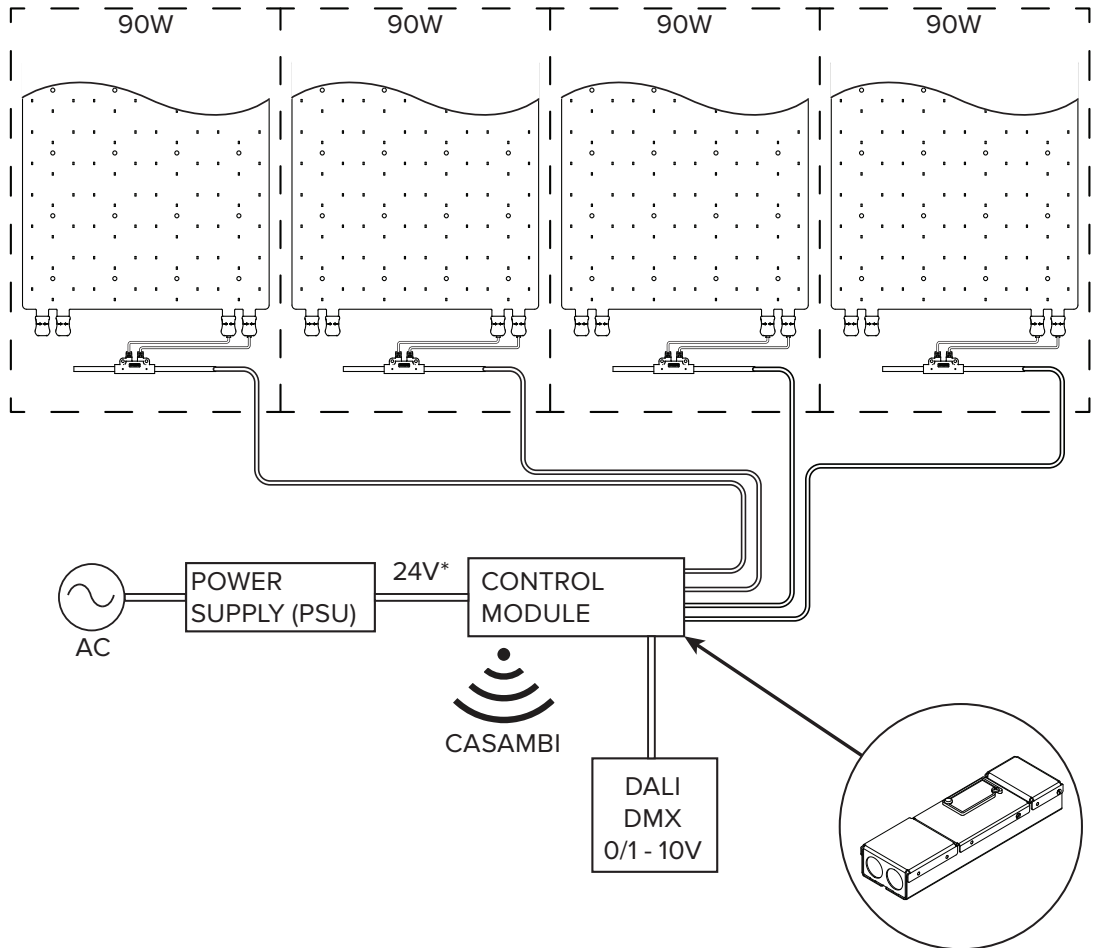


COOLEGE™

COOLEGE POWER & CONTROL QUICK START GUIDE - 24V

For detailed instructions, please refer to: EXT-0071 COOLEGE CONTROL MODULE USER GUIDE Available at cooledgelighting.com



Compatible Part No's:

- CTR-SCT-DAL-24V
- CTR-SCT-CAS-24V
- CTR-SCT-DMX-24V

* For use with 24VDC power supplies ONLY.

⚠ Control Module is suitable for use in dry locations only (IP20). For wet locations (IP65) installations the control module must be placed in an appropriate enclosure. Refer to EXT-0071.

⚠ Damage to CONTROL MODULE and/or light sheets may occur if wired incorrectly.

⚠ CONTROL MODULE must be installed by a qualified electrician.

FCC STATEMENT:

This device complies with part 15 of the FCC rules. Operation is subject to the following two conditions:
(1) This device may not cause harmful interference.
(2) This device must accept any interference received, including interference that may cause undesired operation

⚠ All devices should always be disconnected from mains power supply and verify its absence prior to installation/maintenance.



RoHS



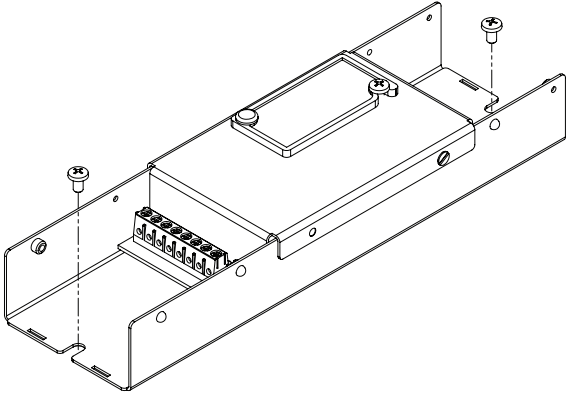
5 Year Limited Warranty: Parts and workmanship

Cooledge Lighting Inc.
110-13551 Commerce Parkway
Richmond, BC V6V 2L1 Canada

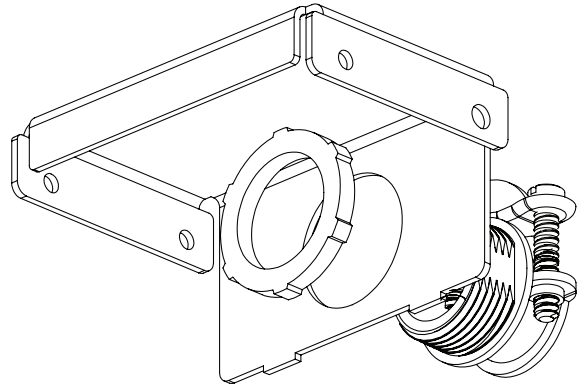
O +1 604 273 2665
F +1 604 273 2660
T +1 844 455 4448
W cooledgelighting.com

Cooledge Lighting reserves the right to change materials or modify the design of its product without notification as part of the company's continuing product improvement program.

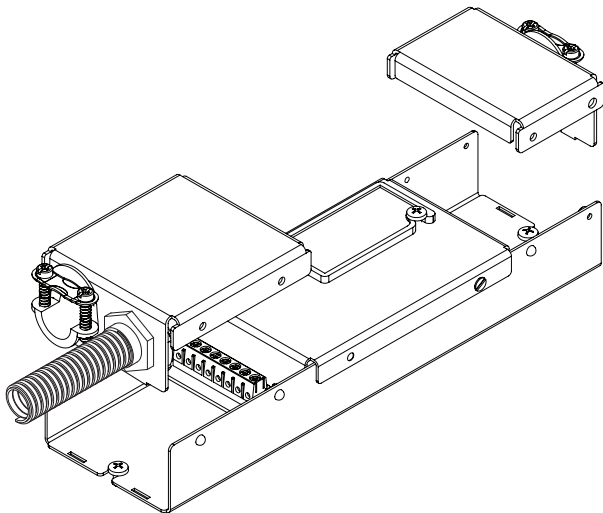
1) Fasten module in position by using the two mounting slots. (Fasteners not supplied)



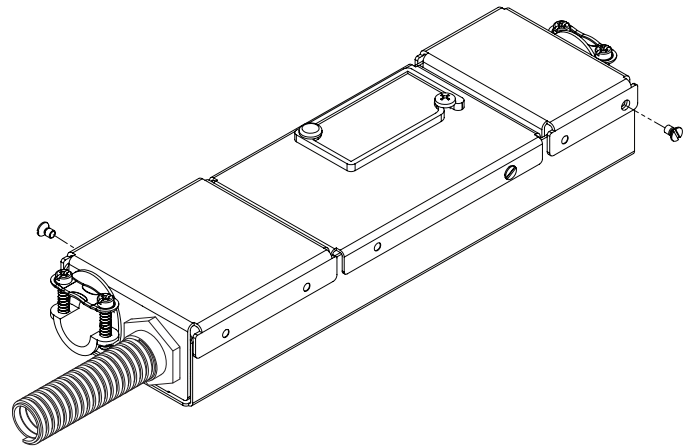
2) Terminal covers support 1/2" trade size conduit fittings. To meet UL requirements conduit or armoured cable must be used for power input cables.



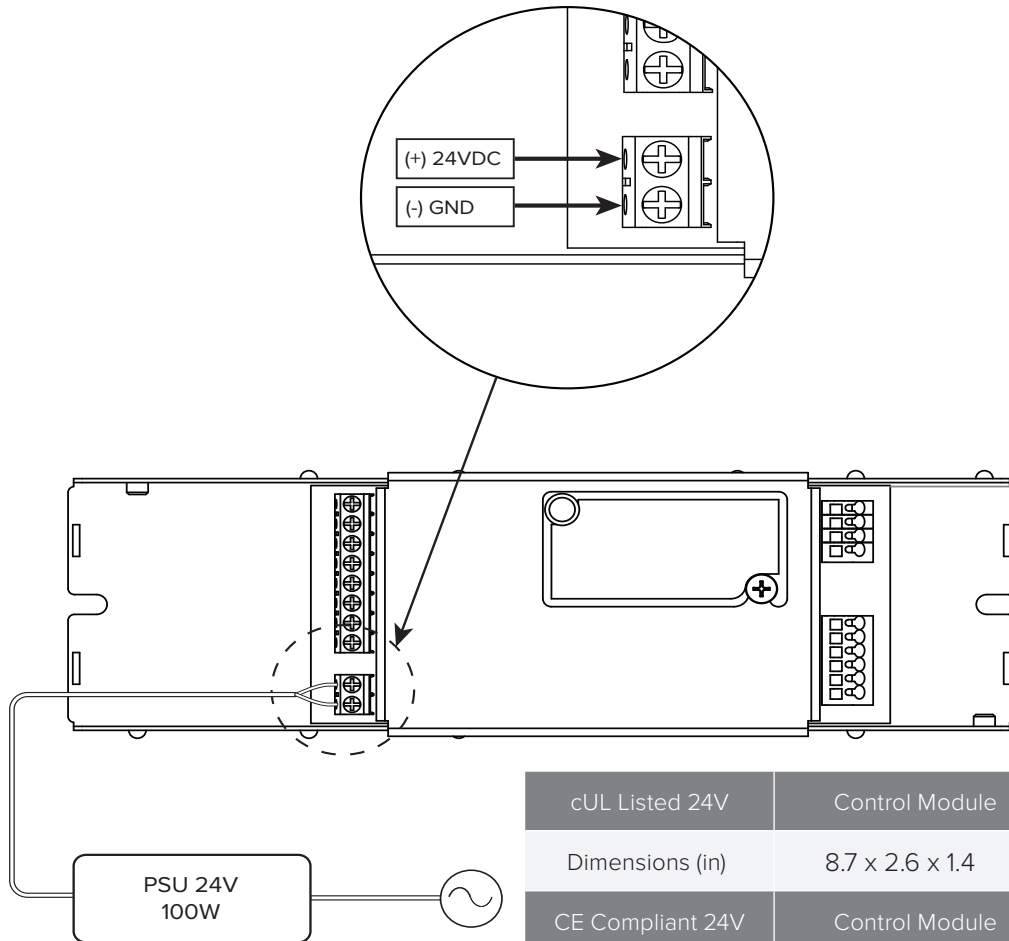
3) Thread cables through conduit/strain reliefs and covers; then make connections as required.



4) Snap covers in position and secure with provided fasteners.

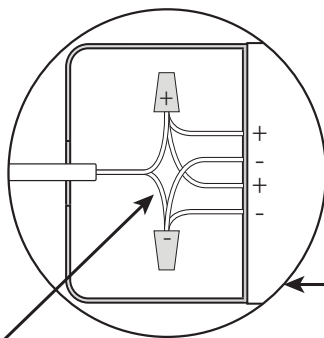
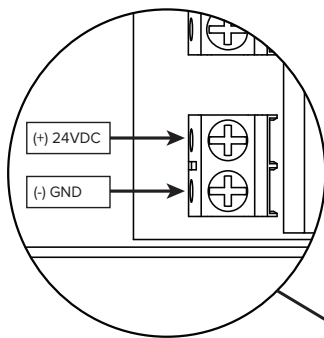


INPUT POWER - 24VDC: 100W - SELV

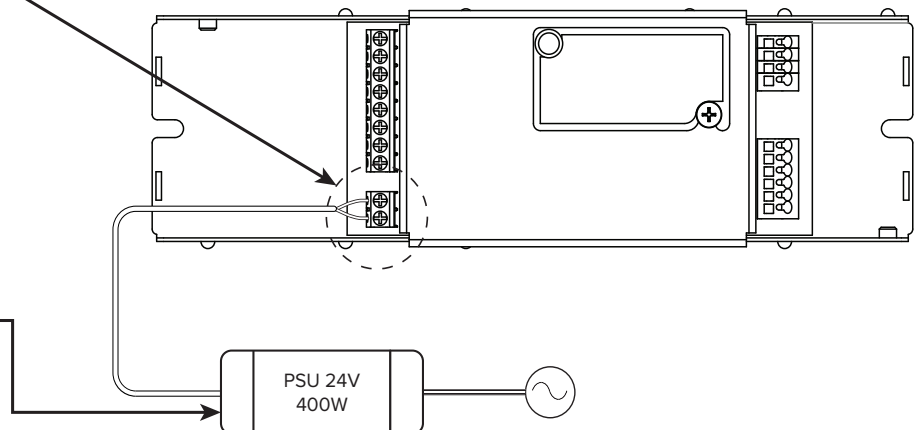


cUL Listed 24V	Control Module	100W PSU
Dimensions (in)	8.7 x 2.6 x 1.4	7.8 x 2.5 x 1.4
CE Compliant 24V	Control Module	100W PSU
Dimensions (mm)	220 x 66 x 36	199 x 63 x 35

INPUT POWER - 24VDC: 400W - SELV

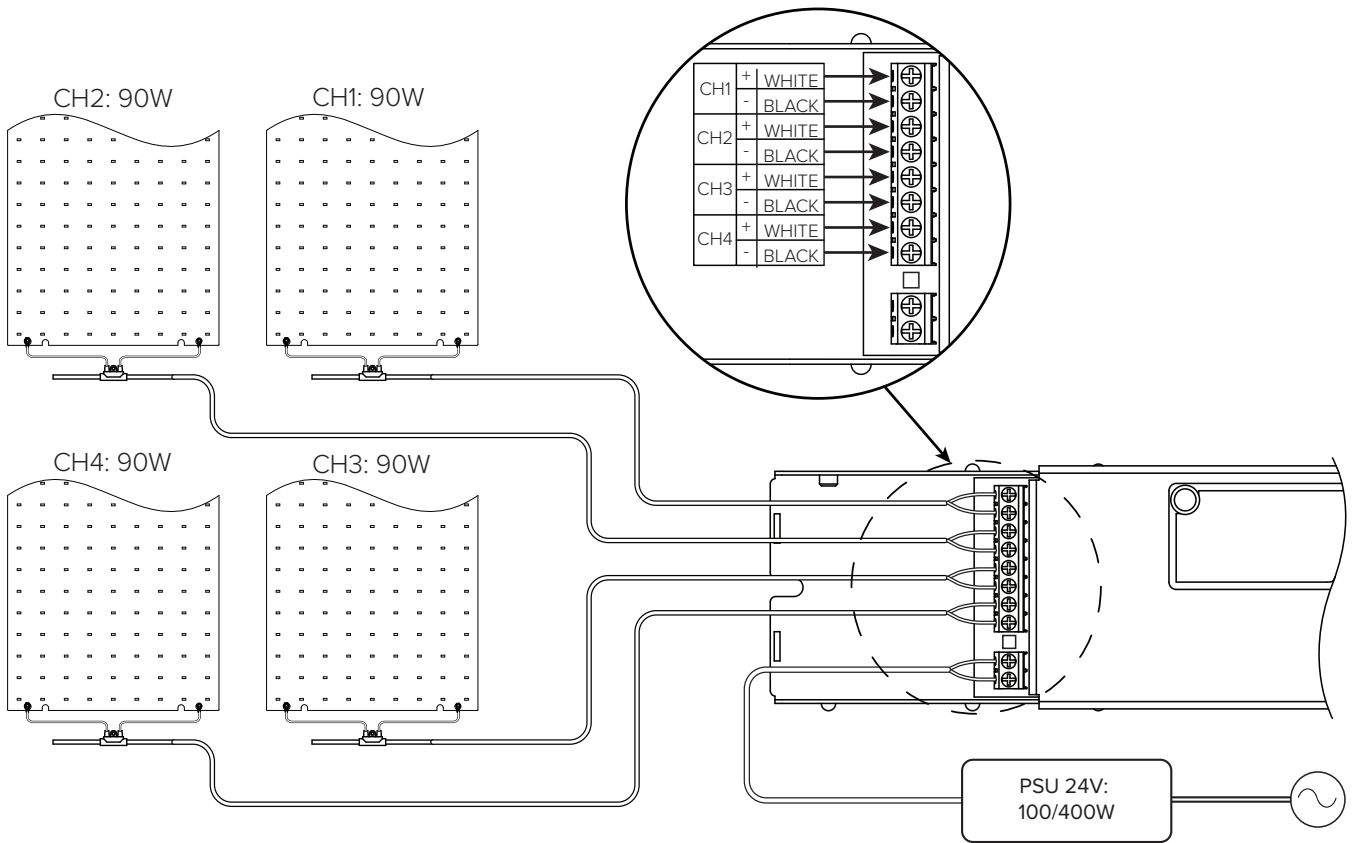


Maximum wire size is: 12AWG (3.3mm²)

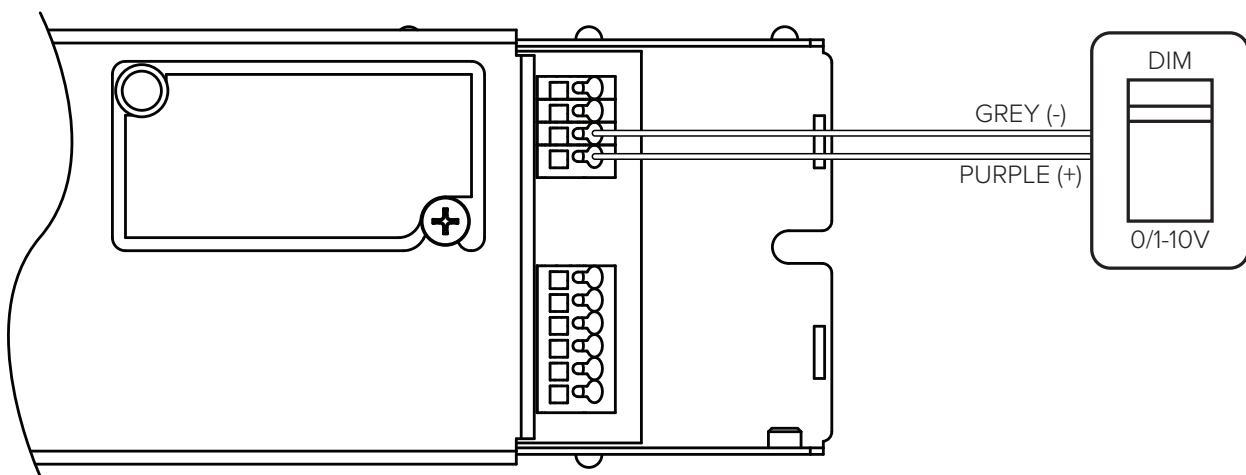


cUL Listed 24V	Control Module	400W PSU
Dimensions (in)	8.7 x 2.6 x 1.4	16.0 x 4.9 x 1.7
CE Compliant 24V	Control Module	400W PSU
Dimensions (mm)	220 x 66 x 36	407 x 124 x 43

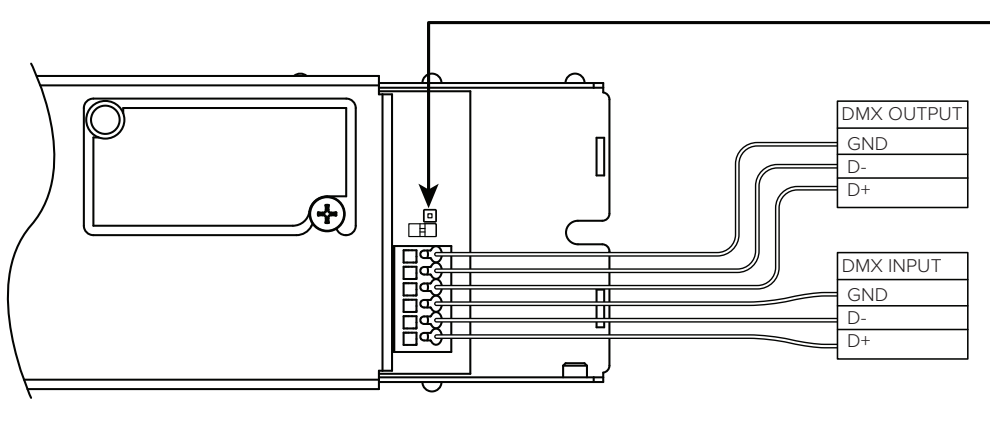
OUTPUT CONNECTIONS: STATIC COLOR TEMPERATURE (SCT)



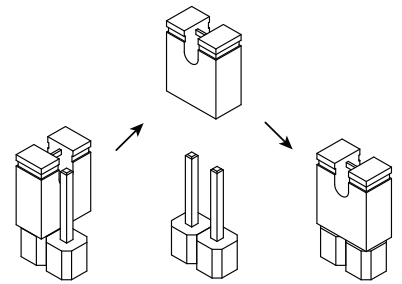
CONTROLS INPUTS: 0/1 - 10V STATIC COLOR TEMPERATURE (SCT)



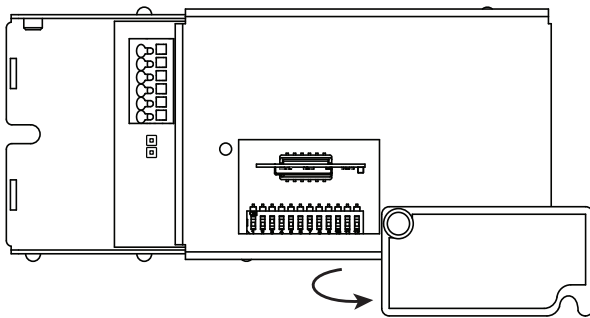
CONTROL INPUTS: DMX



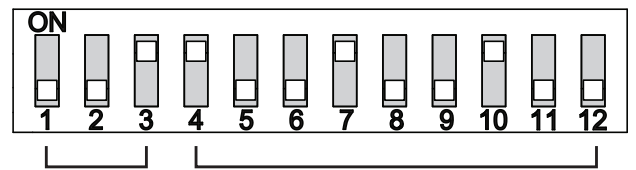
When installing the final controller (termination point) in a network use the provided jumper on the indicated header.



SELECTING DMX ADDRESSES



1 = On, 0 = Off



- Switches 1 - 3: Factory set, refer to EXT-0071 for details.
- Switches 4 - 12: Addressing switches.

- To access the dip switch for selecting addresses for DMX controls, unfasten the cover screw and rotate cover out of the way.

- Each of the 9 switches (4-12) represents a bit in binary representation for the address. For example, when switch 12 is 'ON' only address 1 is selected, if switch 12 & 11 are 'ON' then address 3 is selected. The address is selected by the sum of the values of each 'ON' switch. Addresses 1 through 511 are possible

Switch:	4	5	6	7	8	9	10	11	12
Address:	256	128	64	32	16	8	4	2	1

CONTROL INPUTS: DALI

